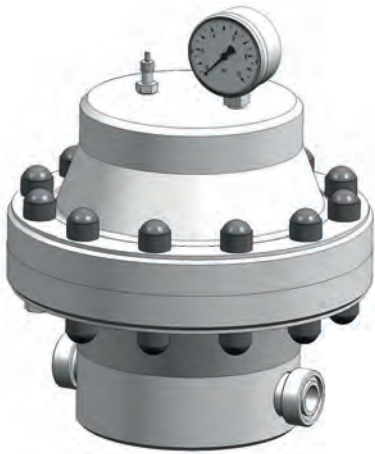


DIAPHRAGM PULSATION DAMPER



OVERVIEW

- User-friendly
- Low-maintenance
- Long service life
- Easy installation
- Design acc. to 2014/68/EU
- High quality materials

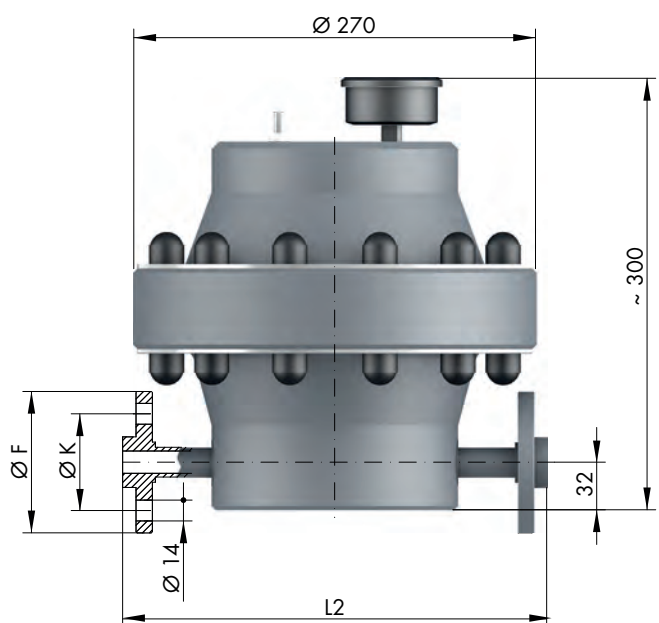
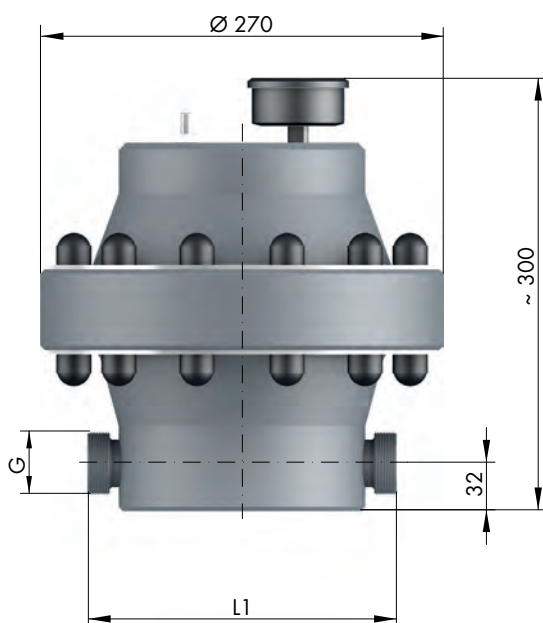
TECHNICAL DATA

			713.1		
Nominal width	DN		15	20	25
Max. permissible operating pressure	bar		10	10	10
Content	Litre		3	3	3
Weight ²⁾					
Empty weight	PP	kg	6,5	6,5	6,5
Empty weight	PVC-U	kg	9,0	9,0	9,0
Empty weight	PVDF ¹⁾	kg	9,0	9,0	9,0

¹⁾ Upper part made of PVC-U

²⁾ Standard design (threaded connector)

DIMENSIONS



Threaded connector		713.1		
DN	Nominal width	15	20	25
G	Connection thread	G1	G1¼	G1½
L1	PVC-U	213	207	235
L1	PP	263	215	243
L1	PVDF ²⁾	255	215	243
Loose-type flange connector acc. to DIN2501		713.1		
DN	Nominal width	15	20	25
F		95	105	115
K		65	75	85
L2	PVC-U	285	285	285
L2	PP	285	285	285

(Dimensions in mm) ²⁾ Upper part made of PVC-U

BASIC DESIGNS



Diaphragm pulsation damper (Plastic, with elastomere diaphragm, max. 10 bar)

Properties

- Any mounting position
- Easy installation
- Long service life
- Easy handling
- High-quality materials
- Low maintenance

Type	Connection	max. Pressure	Housing	Diaphragm Seals	Article-No.	Price (EUR)
713.1	G 1¼	10 bar	PVC-U	EPDM	30071038	▲
713.1	G 1¼	10 bar	PVC-U	FPM	30071039	▲
713.1	G 1¼	10 bar	PP	EPDM	30071040	▲
713.1	G 1¼	10 bar	PP	FPM	30071041	▲
713.1	G 1¼	10 bar	PVDF	EPDM	30071060	▲
713.1	G 1¼	10 bar	PVDF	FPM	30071061	▲

OPTIONS

Loose-type flanges	Design acc. to DIN 2501, incl. O-Rings		
PVC-design	Loose flange, PVC-U	DN20	▲
PP-/PVDF-design	Loose flange, PP with steel insert	DN20	▲

ACCESSORIES

Bracket	PP	90010913	▲
for wall mounting	1.4301	90010914	▲
	Steel (color treated)	90010915	▲
Filling pump FLP 2	for filling device		
with manometer, max. 7 bar incl. 2m hose and coupling for air valve		90009396	▲



DIAPHRAGM PULSATION DAMPER



OVERVIEW

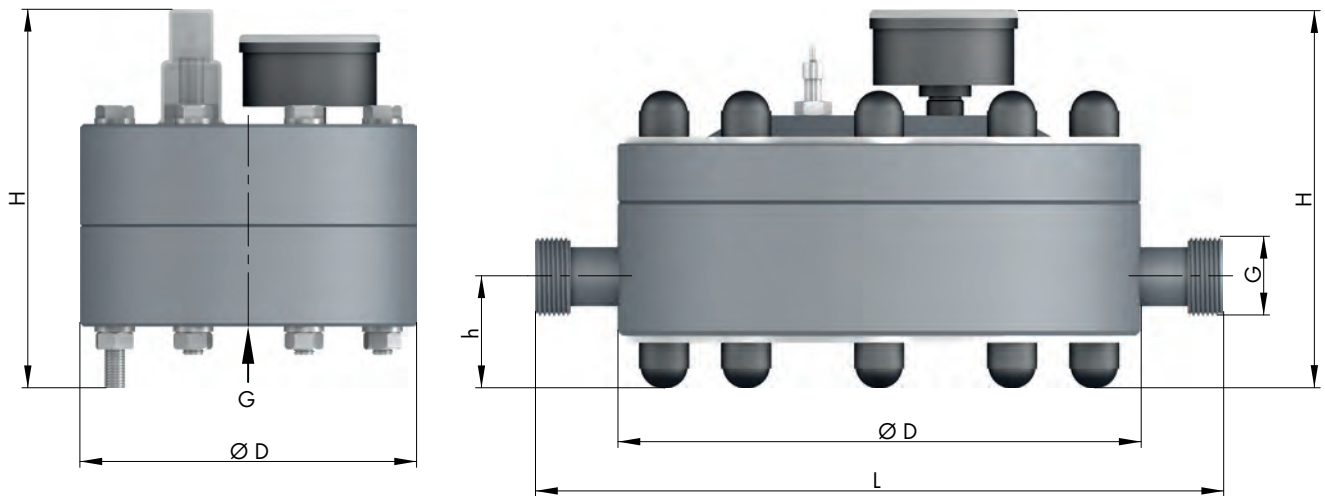
- User-friendly
- Low-maintenance
- Long service life
- Any mounting position
- Easy installation
- Design acc. to 2014/68/EU
- High quality materials

TECHNICAL DATA

			720.1	721.2	722.1	723.1
Nominal width	DN		5	10	15	20
Max. permissible operation pressure	bar		10	10	10	10
Content	Litre		0,025	0,14	0,32	0,86
Weight						
Empty weight	PP	kg	0,9	3,5	5,0	8,0
Empty weight	PVC-U	kg	0,9	4,5	6,5	11,5
Empty weight	PVDF ¹⁾	kg	1,0	5,0	7,0	13,0

¹⁾ Upper part made of PVC-U

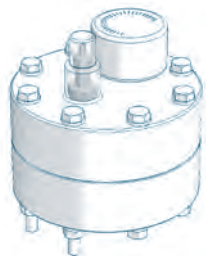
DIMENSIONS



	720.1	721.2	722.1	723.1
DN Nominal width	5	10	15	20
G Connection thread	G½	G¾	G1	G1¼
D	100	180	222	280
H	115	165	180	211
h	–	45	48	46
L	–	250	292	330

(Dimensions in mm)

BASIC DESIGNS



Diaphragm pulsation damper (Plastic, PTFE-diaphragm, max. 10 bar)

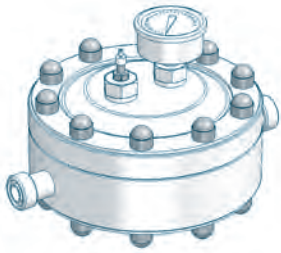
Properties

- Any mounting position
- Easy installation
- Long service life
- Easy handling
- High-quality materials
- Low maintenance

Type	Connection	max. Pressure	Material	Diaphragm	Article-No.	Price (EUR)
720.1	G ½	10 bar	PVC-U	PTFE	37601848	▲
720.1	G ½	10 bar	PP	PTFE	37601856	▲
720.1	G ½	10 bar	PVDF	PTFE	37601857	▲

DIAPHRAGM PULSATION DAMPER

BASIC DESIGNS



Diaphragm pulsation damper (Plastic, PTFE(-faced) diaphragm, max. 10 bar)

Properties

- Any mounting position
- Easy installation
- Long service life
- Easy handling
- High-quality materials
- Low maintenance
- Diaphragm: PTFE-faced

Type	Connection	max. Pressure	Material	Seals	Article-No.	Price (EUR)
721.2	G 3/4	10 bar	PVC-U	EPDM	37602014	▲
721.2	G 3/4	10 bar	PVC-U	FPM	37602013	▲
721.2	G 3/4	10 bar	PP	EPDM	37603419	▲
721.2	G 3/4	10 bar	PP	FPM	37602017	▲
721.2	G 3/4	10 bar	PVDF	FEP	37604046	▲
722.1	G 1	10 bar	PVC-U	EPDM	37600647	▲
722.1	G 1	10 bar	PVC-U	FPM	30100008	▲
722.1	G 1	10 bar	PP	EPDM	37600676	▲
722.1	G 1	10 bar	PP	FPM	30100009	▲
722.1	G 1	10 bar	PVDF	FEP	37601852	▲
723.1	G 1 1/4	10 bar	PVC-U	EPDM	37601002	▲
723.1	G 1 1/4	10 bar	PVC-U	FPM	30100011	▲
723.1	G 1 1/4	10 bar	PP	EPDM	37603271	▲
723.1	G 1 1/4	10 bar	PP	FPM	30100012	▲
723.1	G 1 1/4	10 bar	PVDF	FEP	37600918	▲
724.1	G 1 1/4	10 bar	PVC-U	EPDM	Ⓞ	Ⓞ
724.1	G 1 1/4	10 bar	PVC-U	FPM	30100014	▲
724.1	G 1 1/4	10 bar	PP	EPDM	Ⓞ	Ⓞ
724.1	G 1 1/4	10 bar	PP	FPM	30100015	▲
724.1	G 1 1/4	10 bar	PVDF	FEP	30100016	▲

ACCESSORIES

720.1, 721.2, 722.1, 723.1



Filling pump FLP 2 for filling device

with manometer, max. 7 bar incl. 2m hose and coupling for air valve 90009396 ▲

720.1



Connection adapter

Thread connection	G3/4 male	PVC-U	EPDM	90021733	▲
Connction to pulsation damper	G1/2 male	PVC-U	FPM	90025079	▲
		PP	EPDM	90038083	▲
		PP	FPM	90038082	▲
		PVDF	FEP	Ⓞ	Ⓞ

720.1



Retaining clamp

(2 Piece each pulsation damper) PP d 16 90010649 ▲

721.2, 722.1



Retaining clamp

(2 Piece each pulsation damper) PP d 25 90010651 ▲

723.1



Bracket

● basic version ○ avail for wall mounting PP 90011722 ▲

DIAPHRAGM PULSATION DAMPER



OVERVIEW

- Compact design
- User-friendly
- Low-maintenance
- Long service life
- Easy installation
- Design acc. to 2014/68/EU
- High quality materials

TECHNICAL DATA

Type	max. permissible operating pressure bar	Content litre
810.1-0,16/10	10	0,16
810.1-0,32/10	10	0,32
810.1-0,75/10	10	0,75
810.1-2,0/10	10	2,00

DIMENSIONS



	G	SW	D	h	H	kg
810.1-0,16/10	G1/2	30	74	14	244	0,8
810.1-0,32/10	G1/2	30	93	14	257	1,3
810.1-0,75/10	G1/2	41	212	14	288	2,8
810.1-2,0/10	G3/4	46	160	18	338	4,0

BASIC DESIGNS



Diaphragm pulsation damper (Stainless steel, max. 10 bar)

Properties

- Any mounting position
- Easy installation
- Long service life
- Easy handling
- High-quality materials
- Low maintenance

Type	Connection	max.Pressure	Material	Diaphragm	Article-No.	Price (EUR)
810.1-0,16/10	G ½	10 bar	1.4571	Butyl	37603720	▲
810.1-0,16/10	G ½	10 bar	1.4571	FPM	37603724	▲
810.1-0,16/10	G ½	10 bar	1.4571	PTFE	×	×
810.1-0,32/10	G ½	10 bar	1.4571	Butyl	37603721	▲
810.1-0,32/10	G ½	10 bar	1.4571	FPM	37603725	▲
810.1-0,32/10	G ½	10 bar	1.4571	PTFE	×	×
810.1-0,75/10	G ½	10 bar	1.4571	Butyl	37603722	▲
810.1-0,75/10	G ½	10 bar	1.4571	FPM	37603726	▲
810.1-0,75/10	G ½	10 bar	1.4571	PTFE	37606307	▲
810.1-2,0/10	G ¾	10 bar	1.4571	Butyl	37603723	▲
810.1-2,0/10	G ¾	10 bar	1.4571	FPM	37603727	▲
810.1-2,0/10	G ¾	10 bar	1.4571	PTFE	37606308	▲

ACCESSORIES

Filling- and pressure measuring device

(mounted on pulsation damper)



Design: Plastic	Manometer: 0-16 bar Measuring system: copper alloyed	●
------------------------	---	---

Design: Stainless steel	Manometer: 0-16 bar, glycerine-damped Measuring system: copper alloyed Housing: 1.4301	▲
--------------------------------	--	---



Filling pump FLP 2	for filling device	
with manometer, max. 7 bar incl. 2m hose and coupling for air valve		90009396 ▲

DIAPHRAGM PULSATION DAMPER



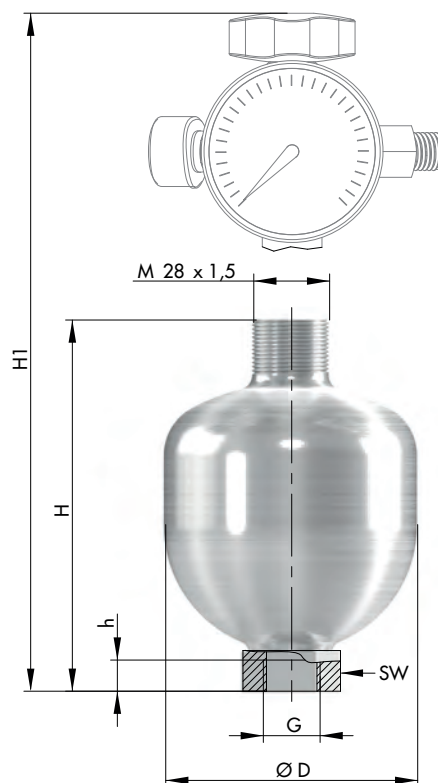
OVERVIEW

- Compact design
- User-friendly
- Low-maintenance
- Long service life
- Easy installation
- Design acc. to 2014/68/EU
- High quality materials

TECHNICAL DATA

Type	max. permissible operating pressure bar	Content litre
810.1-0,16/180	180	0,16
810.1-0,32/160	160	0,32
810.1-0,75/140	140	0,75
810.1-2,0/100	100	2,00

DIMENSIONS



	G	SW	D	h	H	H1	kg
810.1-0,16/180	G1/2	30	74	14	124	225	0,8
810.1-0,32/160	G1/2	30	93	14	137	238	1,3
810.1-0,75/140	G1/2	41	212	14	168	268	2,8
810.1-2,0/100	G3/4	46	160	18	218	319	4,0

BASIC DESIGNS



Diaphragm pulsation damper (Stainless steel, max. 100-180 bar)

Properties

- Any mounting position
- Easy installation
- Long service life
- Easy handling
- High-quality materials
- Low maintenance

Type	Connection	max.Pressure	Material	Diaphragm	Article-No.	Price (EUR)
810.1-0,16/180	G ½	180 bar	1.4571	Butyl	90008811	▲
810.1-0,16/180	G ½	180 bar	1.4571	FPM	90009498	▲
810.1-0,16/180	G ½	180 bar	1.4571	PTFE	×	×
810.1-0,32/160	G ½	160 bar	1.4571	Butyl	90010409	▲
810.1-0,32/160	G ½	160 bar	1.4571	FPM	90010983	▲
810.1-0,32/160	G ½	160 bar	1.4571	PTFE	×	×
810.1-0,75/140	G ½	140 bar	1.4571	Butyl	37600313	▲
810.1-0,75/140	G ½	140 bar	1.4571	FPM	37600148	▲
810.1-0,75/140	G ½	140 bar	1.4571	PTFE	37606302	▲
810.1-2,0/100	G ¾	100 bar	1.4571	Butyl	37600314	▲
810.1-2,0/100	G ¾	100 bar	1.4571	FPM	37600149	▲
810.1-2,0/100	G ¾	100 bar	1.4571	PTFE	37606303	▲

ACCESSORIES



Filling- and pressure measuring device

Design: removeable
 Manometer d63, plastic housing, measuring system: copper alloyed
 incl. 2,5m filling hose, connection M14x1,5

0 - 25 bar	37601674	▲
0 - 100 bar	37601673	▲
0 - 250 bar	30066005	▲